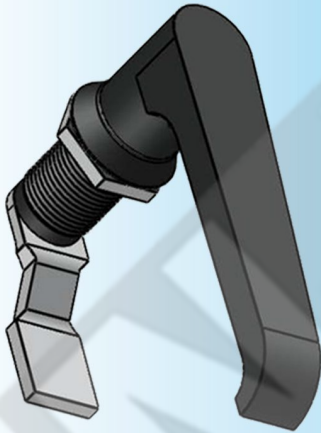


For Product Step File or 3D Model Send a Request Mail To info@nrack.com

Photo View

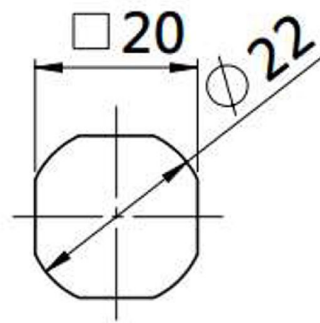
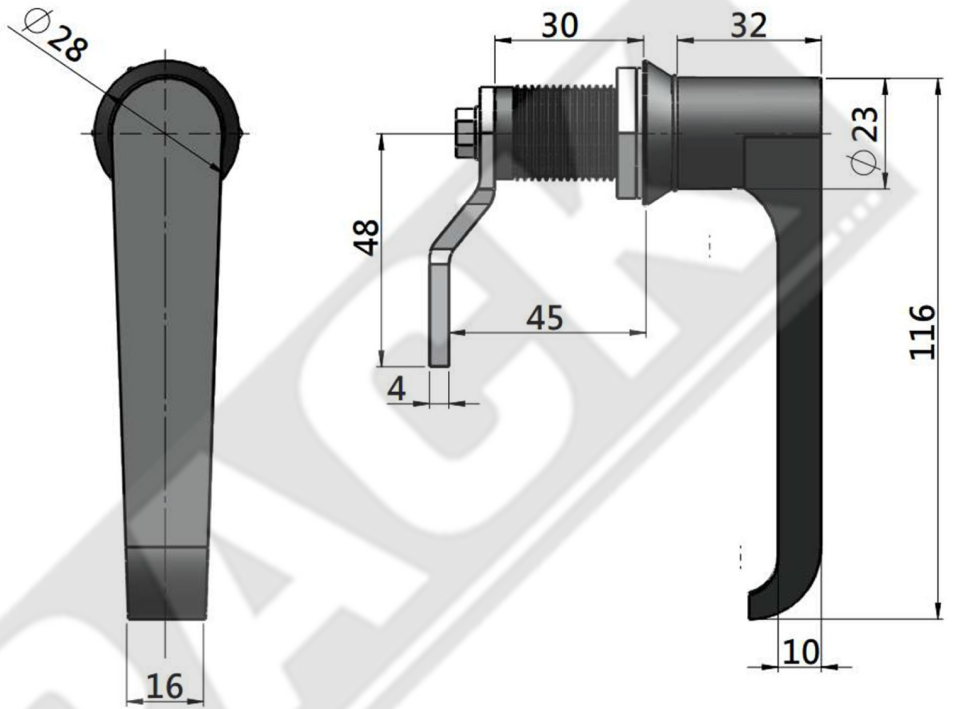


3D Rendered View



OA - 17

- Material: Zinc Die Casting, Steel Cam-Blue Plating
- Finish: Black Powder Coating-Handle



CUT OUT